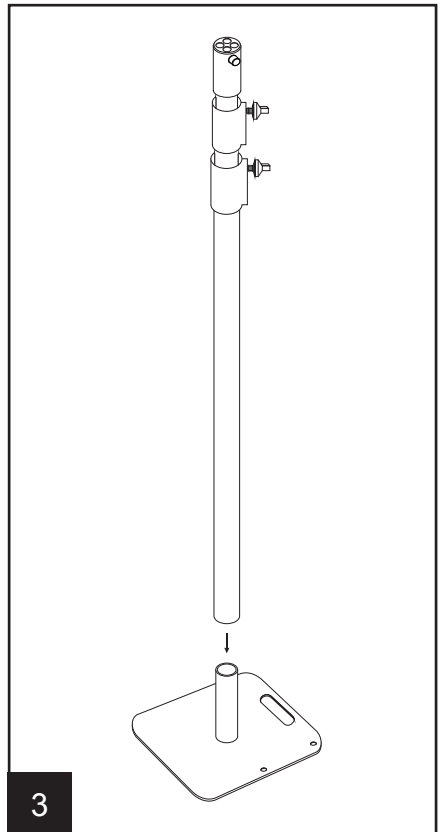
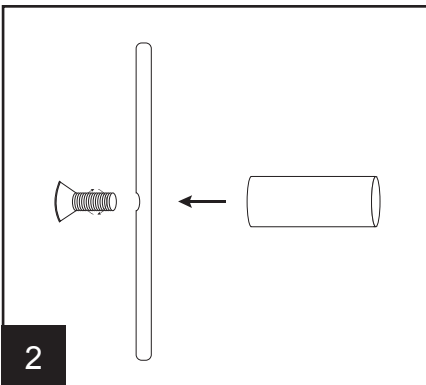
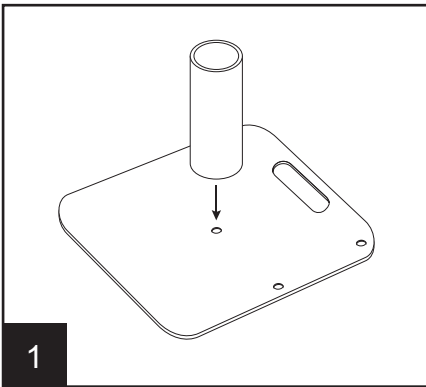
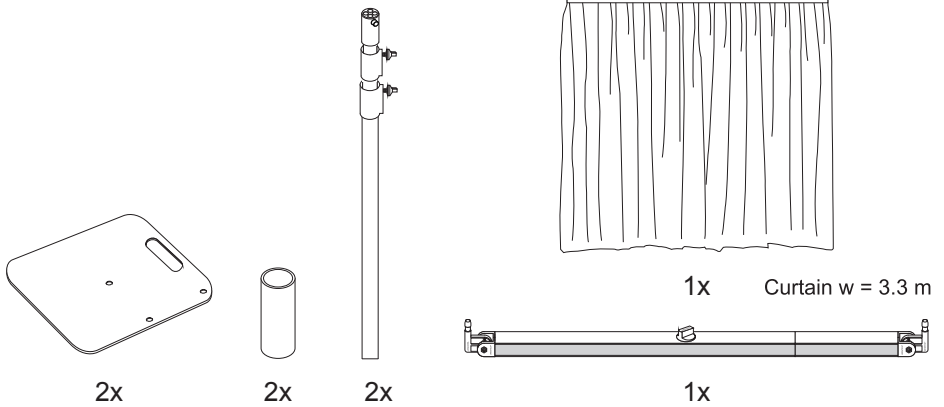
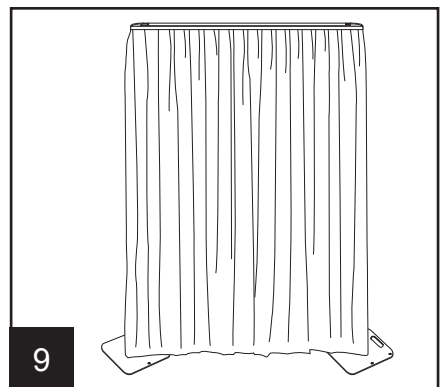
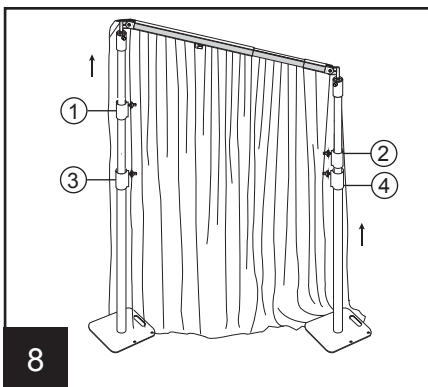
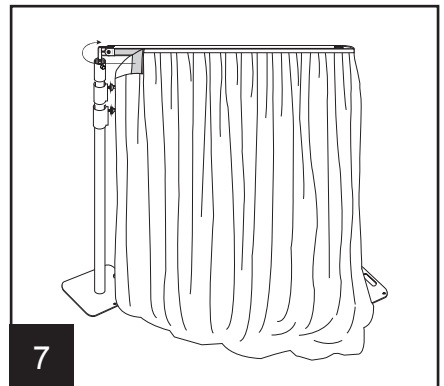
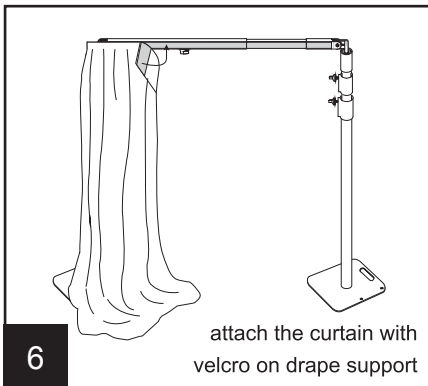
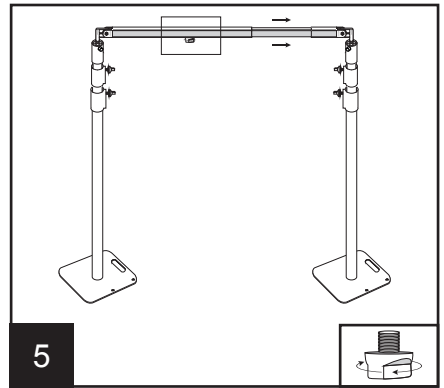
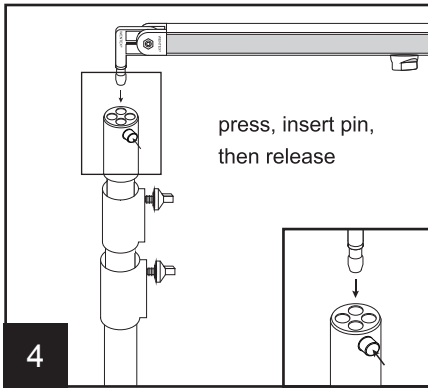


Pipes & Drapes Manual





follow steps for the best stability and capacity of P&D by dividing over two uprights. Do not put one part of the upright up to the end.